

18078

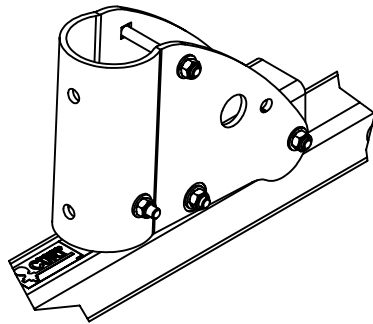
# ALL 2" RECEIVERS

8/8/2007

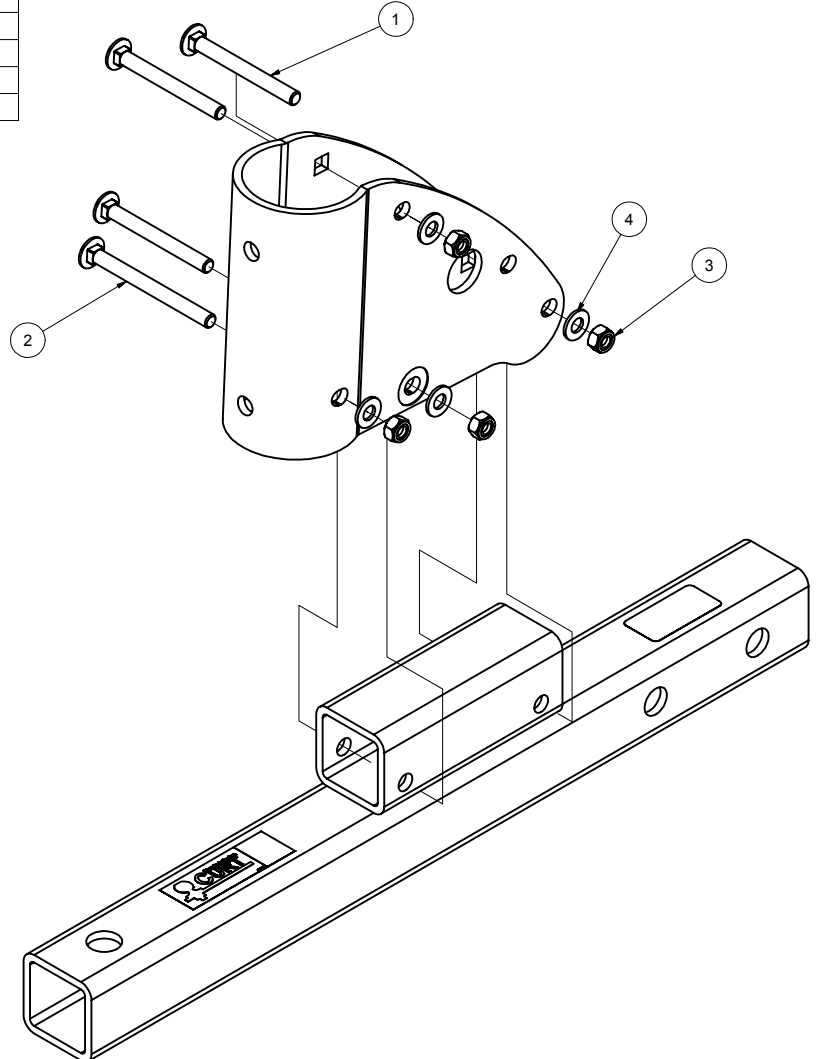
VISIT [WWW.HITCHINFO.COM](http://WWW.HITCHINFO.COM) FOR CURRENT APPLICATION COVERAGE,  
INSTALLATION SUPPORT AND BENEFICIAL TOWING INFORMATION

GROSS LOAD CAPACITY WHEN USED AS A WEIGHT CARRYING HITCH: 2000 LBS. TRAILER WEIGHT & 200 LBS. TONGUE WEIGHT.  
**\*\*\*DO NOT EXCEED VEHICLE MANUFACTURER'S RECOMMENDED TOWING CAPACITY.\*\*\***

Parts List			
ITEM	QTY	PART NUMBER	DESCRIPTION
1	3	5_16 - 18 x 3 CARRIAGE	CARRIAGE BOLT
2	1	5/16 - 18 x 3_1/2"	CARRIAGE BOLT
3	4	5/16-18	NYLOCK HEX NUT
4	4	5/16"	WASHER



DETAIL A  
SCALE 3/8



HITCH WEIGHT: 5 LBS.

INSTALL TIME: 5 MINUTES

INSTALL NOTES:

## INSTALLATION STEPS

- 1) Place bracket assembly onto square tubing aligning the two holes as shown diagram above.
- 2) Once aligned place fasteners as shown.
- 3) Torque all hardware to 30 lb-ft.

**PERIODICALLY CHECK THIS RECEIVER HITCH TO ENSURE THAT ALL FASTENERS ARE TIGHT AND THAT ALL STRUCTURAL COMPONENTS ARE SOUND.**

Curt Manufacturing Inc., warrants this product to be free of defects in material and/or workmanship at the time of retail purchase by the original purchaser. If the product is found to be defective, Curt Manufacturing Inc., may repair or replace the product, at their option, when the product is returned, prepaid, with proof of purchase. Alteration to, misuse of, or improper installation of this product voids the warranty. Curt Manufacturing Inc.'s liability is limited to repair or replacement of products found to be defective, and specifically excludes liability for incidental or consequential loss or damage.