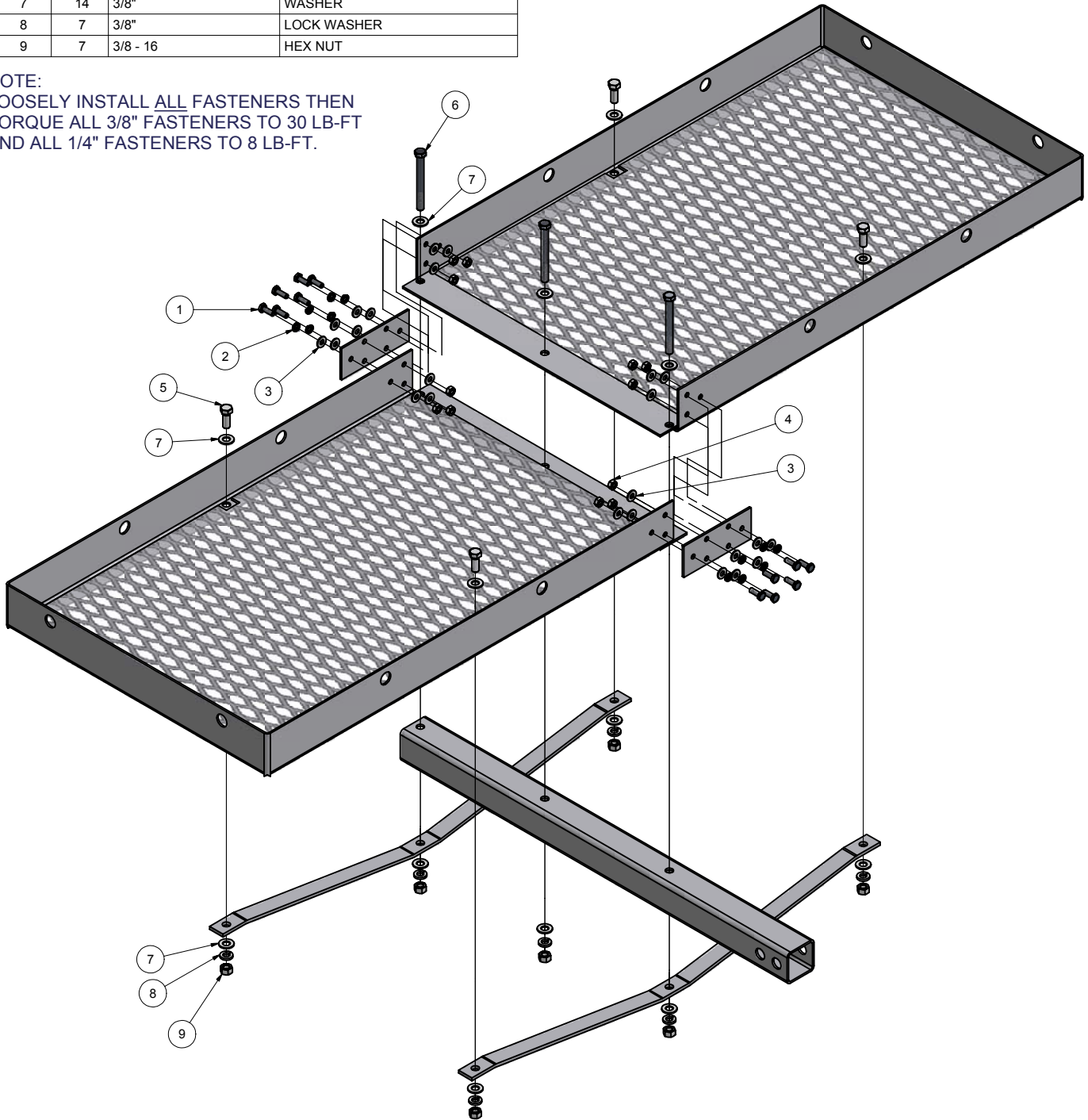


18120 FIXED SHANK CARGO CARRIER

MAXIMUM GROSS LOAD CAPACITY: 500 LBS.
*****DO NOT EXCEED VEHICLE MANUFACTURER'S RECOMMENDED LOAD CAPACITY.*****
**** USE OF TOWING CARRIERS REDUCES HITCH TOW RATING****

Parts List			
ITEM	QTY	PART NUMBER	DESCRIPTION
1	12	1_4 - 20 x 3_4 HEX	HEX BOLT
2	12	1_4 LOCK WASHER	1/4" LOCK WASHER
3	24	1/4"	WASHER
4	12	1_4 - 20 HEX NUT	HEX NUT
5	4	3_8 - 16 x 1	HEX BOLT
6	3	3_8 - 16 x 3 1_2 HEX	HEX BOLT
7	14	3/8"	WASHER
8	7	3/8"	LOCK WASHER
9	7	3/8 - 16	HEX NUT

NOTE:
 LOOSELY INSTALL ALL FASTENERS THEN
 TORQUE ALL 3/8" FASTENERS TO 30 LB-FT
 AND ALL 1/4" FASTENERS TO 8 LB-FT.



Curt Manufacturing Inc., warrants this product to be free of defects in material and/or workmanship at the time of retail purchase by the original purchaser. If the product is found to be defective, Curt Manufacturing Inc., may repair or replace the product, at their option, when the product is returned, prepaid, with proof of purchase. Alteration to, misuse of, or improper installation of this product voids the warranty. Curt Manufacturing Inc.'s liability is limited to repair or replacement of products found to be defective, and specifically excludes liability for incidental or consequential loss or damage.